



HEAVY DUTY STEEL

BT7807

HEAVY DUTY TWIN POLE FLOOR / CEILING MOUNT FOR Ø50MM POLES



Made from heavy duty steel, the BT7807 is a robust, twin pole mounting solution designed to mount Ø50mm poles to the floor or ceiling. Capable of supporting heavy loads, it is the ideal solution for heavy duty flat screen installations or complex configurations that feature multiple screens or AV components.

SPECIFICATION

Max Load	200kg*
Elevation / Drop	141mm
Plate Dimensions	426mm x 150mm
Colour	Black

**Max load can be increased when used as part of a floor to ceiling installation*

FEATURES

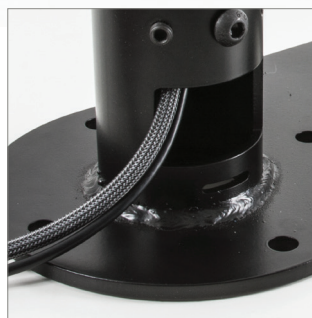
- Can be used to mount poles to the ceiling or to the floor
- Heavy duty steel capable of supporting substantial loads
- Multiple grub screws ensure mounted poles can hang perpendicular to the ceiling / floor, even with heavy loads attached
- Ideal for multi-screen installations
- Speeds up twin pole installations by eliminating the need to measure the distance between pole centres
- Integrated cable management through the top or side of the mount
- Internal end stop prevents poles from dropping through the mount during the installation process (whilst floor mounting)
- Supplied with safety bolt for secure installation



Ideal for mounting ceiling mounting heavy duty screens which require extra-large mounts



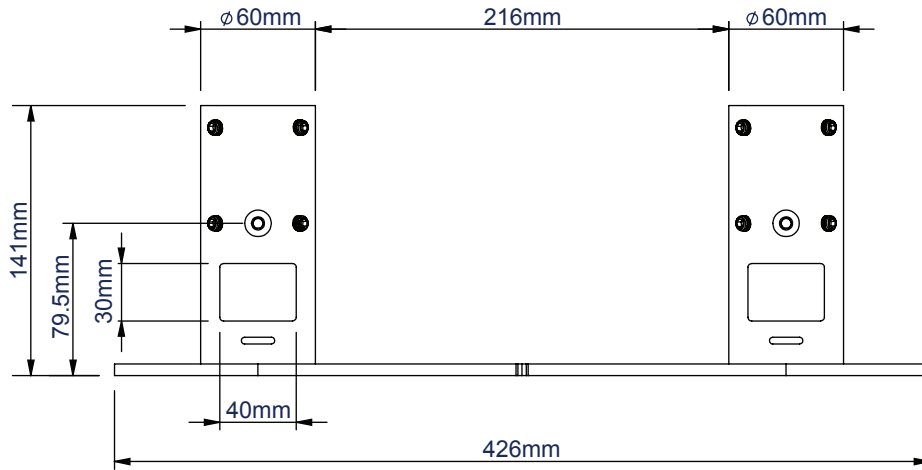
Can be used to mount poles to the floor or ceiling



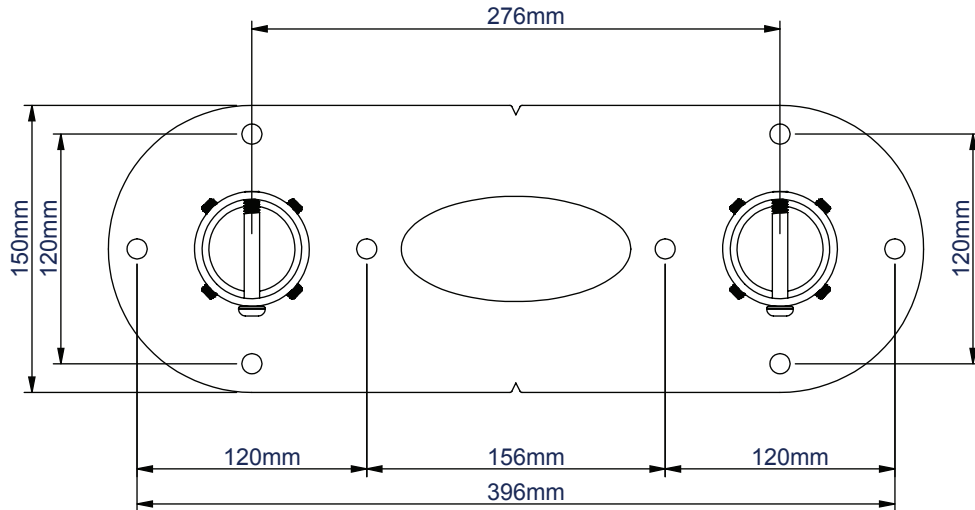
Integrated cable management to hide unsightly cables



Ideal for creating multi-screen pole mounted installations - such as video walls



SIDE VIEW



TOP VIEW

PACKING INFORMATION

COLOUR:	ORDER REF:	EAN CODE:	MASTER CARTON QTY:	INNER CARTON QTY:	MASTER CARTON WEIGHT:	MASTER CARTON CUBE:
Black	BT7807/B	5019318759659	1	0	4.2kg	0.007cbm

ACCESSORIES AND RELATED PRODUCTS FOR USE WITH BT7807

<p>BT7850</p>	<p>BT7841</p>	<p>BT7831</p>	<p>BT7056</p>
----------------------	----------------------	----------------------	----------------------

50mm diameter poles available in different lengths up to 3m

50mm Accessory Collar for fixing mounts & accessories to Ø50mm poles

Wall Mounting Bracket for use in floor-to-wall or ceiling-to-wall installs

Floor Fixing Kit for use in floor-to-wall or ceiling-to-wall installs

© 2015 B-Tech International Pty. Ltd. All rights reserved. The information in this document is subject to change without notice. B-Tech International Pty. Ltd. is not responsible for any damage or loss of data caused by improper use of the information provided in this document. Any reproduction or transmission of any part of this specification is strictly prohibited unless prior written permission has been granted by B-Tech International Pty. Ltd.

SS-BT7807-V1-090615